

Instructions for the Installation and Operation of EARL – Flow Switch Type 32d

Important Note

Before installation and commissioning of the unit the operating instructions must be read extremely carefully to avoid possible damage which may invalidate the warranty.

The unit must only be used for the operating conditions as detailed within the “Technical Data” on the data sheet.

All other usage is excluded

1 Installation

For installation into horizontal pipe line the unit is equipped with pipe thread. For position of pipe and direction of flow see order confirmation.

Remove caps from inlet and outlet openings and place flow switch in pipe line so that the arrow points in flow direction.

- Before installing the unit clean the pipe line to prevent that impurities are getting into the unit.

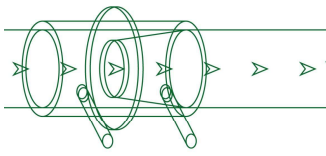
The installation point of the unit should be chosen so that the unit is always filled with fluid. On installation with free outlet a swanneck should be provided at back of unit.

2 Electrical connections

The unit can be equipped with one or two encapsulated magnetic contacts. Type, capacity and rating according to attached specification.

Connection of cable:

- Remove cap of switch housing.
- Enter feed line through cable entry and fasten to connection terminals and ground screw.
- Replace cap.



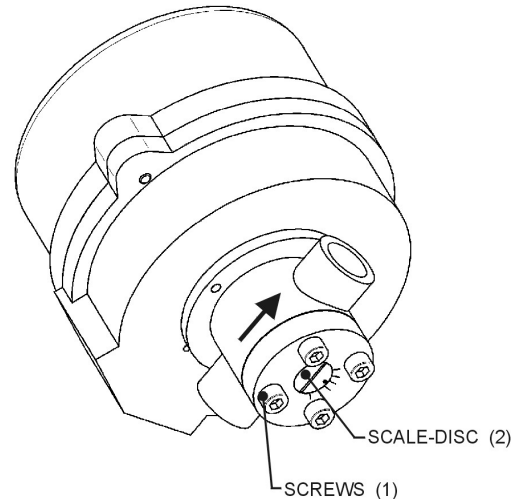
3 Contact Arrangement



4 Adjustment of set point

(external adjustment)

- Loosen the 4 screws (1) situated at bottom of case a little bit.
- Turn scale-disc (2) to the left or right (left is for rising switch point + , right is for lowering switchpoint -)
- Retighten screws.
- Setpoint at delivery can be seen in specification.



5 Technical Data

The technical data for which the unit is ranged are given in the specification (annex): Any alteration has to be checked with the manufacturer in writing.

6 Drawing

A sketch with basic parts and measurements is attached.

7 Special Tools

For adjustment of set point a hexagonal screw driver flats 5.0 mm is required.

8 Attention

- If the unit is installed in the wrong position, it will not operate properly.
- If the operating conditions vary from the specification, incorrect switching might occur.
- If the electrical supply is exceeded the switch contact can be destroyed.
- Before removing the unit from the pipe, the pipe has to be emptied and the power supply cut off.

9 Maintenance

- The proper function of the unit has to be tested periodically, at least once a year.
- It is the responsibility of the user, to choose the testing method and the time intervals within the indicated period.
- It is recommended to send the unit to the manufacturer for routine maintenance.