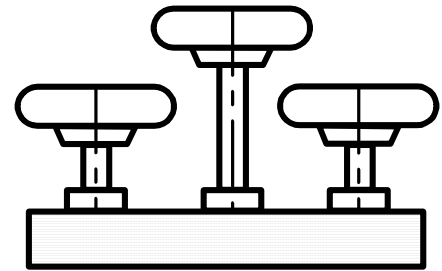


## AB Manifolds

### Application

For steam flow-rate measurement instruments to shut-off and blow-off DP-flow ducts and zero adjustment control of connected measuring transmitter.



### Construction

As 3-way and 5-way manifold.

The 3-way manifolds serve for shutting-off of DP-flow ducts and for zero adjustment control of connected measuring transmitter. As an add-on the 5-way manifolds have two blow-off valves.

Both constructions may be delivered either for wall mounting or for direct connection with the measuring transmitter (DIN 19213).

The manifold housing consists of unalloyed high-grade steel and stainless steel 1.4571 and is forged out of one piece. Special constructions may be carried out in 13CrMo44.

### Technical Details

<b>Nominal Pressure:</b>	DN 5 (ANSI xxx)
<b>Nominal pressure:</b>	up to PN 400 (ANSI up to xxxx lbs)
<b>Temperature:</b>	Up to 400 °C
<b>Valve Heads:</b>	Exchangeable
<b>Spindle:</b>	Back sealing
<b>Cone:</b>	Enrolled, movable
<b>Seat:</b>	Exchangeable
<b>Packing:</b>	Pure graphite resp. PTFE
<b>Handling:</b>	3-way manifolds: with handwheel 5-way manifolds: with detachable socket wrench
<b>Connections:</b>	As standard according to following table. Additionally it is possible to manufacture along customer specifications.

Type	Material	Inlet	Outlet
AB 3 400 E	C22 and 1.4571	E 12	E 12 (wall mounting)
AB 3 160 T	C22 and 1.4571	E 12	measuring transmitter
AB 5 400 E	C22 and 1.4571	E 12	E 12 (wall mounting)
AB 5 160 T	C22 and 1.4571	E 12	measuring transmitter

E = Compression-Type Fitting

### Particularities

For direct connection to the measuring transmitter it is always necessary to specify its type because different mounting screws are needed.

### Additional Scope of Delivery

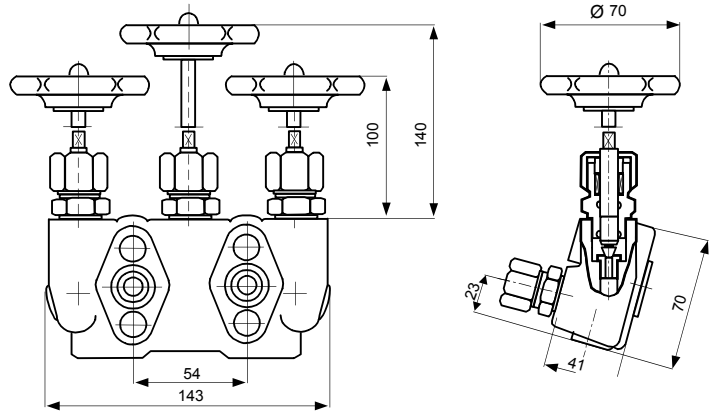
1. free of oil and grease for oxygen
2. with oversized valve spindles
3. valve heads with bellow and safety compression gland
4. material certificate according to EN 10204 (along with DIN 50049 3.1B).

### Dimensional Sketches

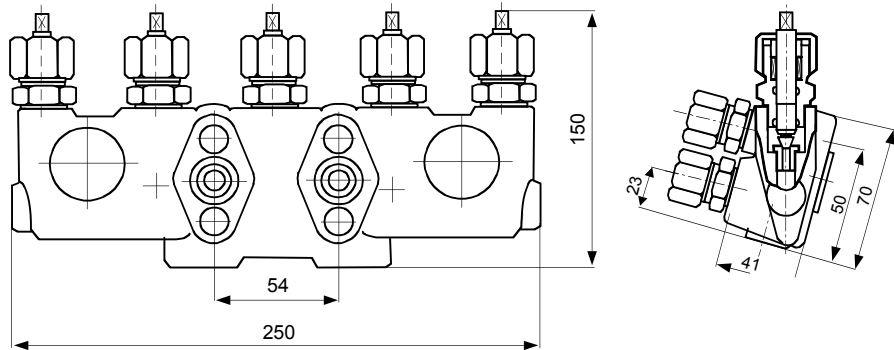
#### Accessories

For direct connection the following accessories are needed and will be supplied with manifold:

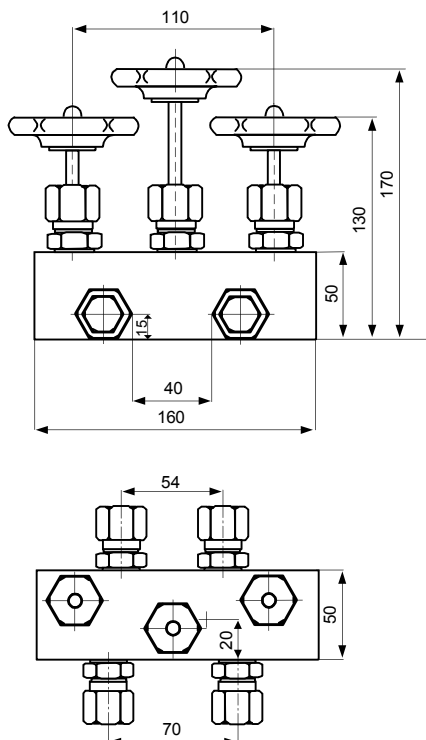
- 4 Stück Sechskantschrauben mit Unterlegscheiben  
M 12 x 50 DIN 931 oder  
7/16 UNF x 20 x 2"
- 2 Stück PTFE Dichtungen  
Ø 17,7 x Ø 2 x 2,9 DIN 19213
- 1 Steckschlüssel  
Bei 5-fach Ventilblöcken



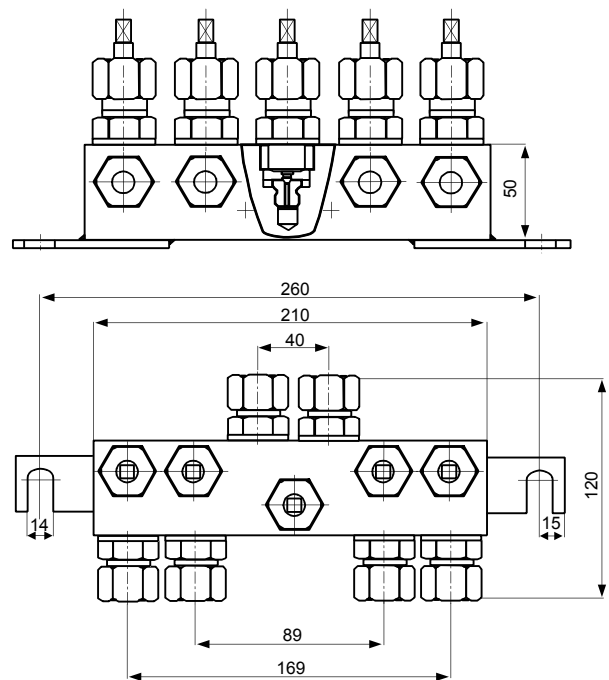
3-fach Ventilblock für Direktanschluss an den Messumformer ( AB 3 160 T)



5-fach Ventilblock für Direktanschluss an den Messumformer ( AB 5 160 T)



3-fach Ventilblock für Wandmontage ( AB 3 400 E)



5-fach Ventilblock für Wandmontage ( AB 5 400 E)